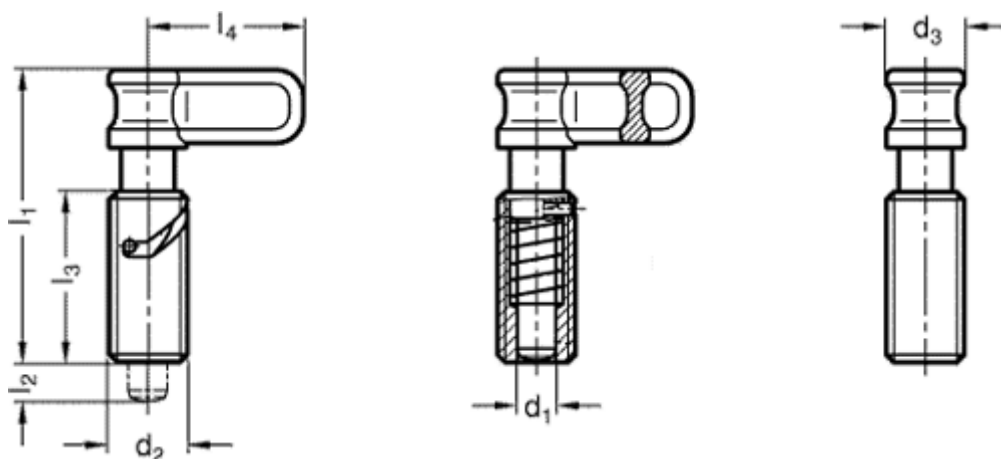


Article number: 20044002

Description: E+G Cam action Indexing plunger
GN 712.1-6-M16x1.5-R

Measures



d1	= 6
d2	= M16x1.5
d3	= 16
l1	= 60
l2 $\pm 0,5$	= 8
l3	= 35
l4	= 32
Spring pressure end (N)	= 16.5

Spring pressure preload (N) = 7